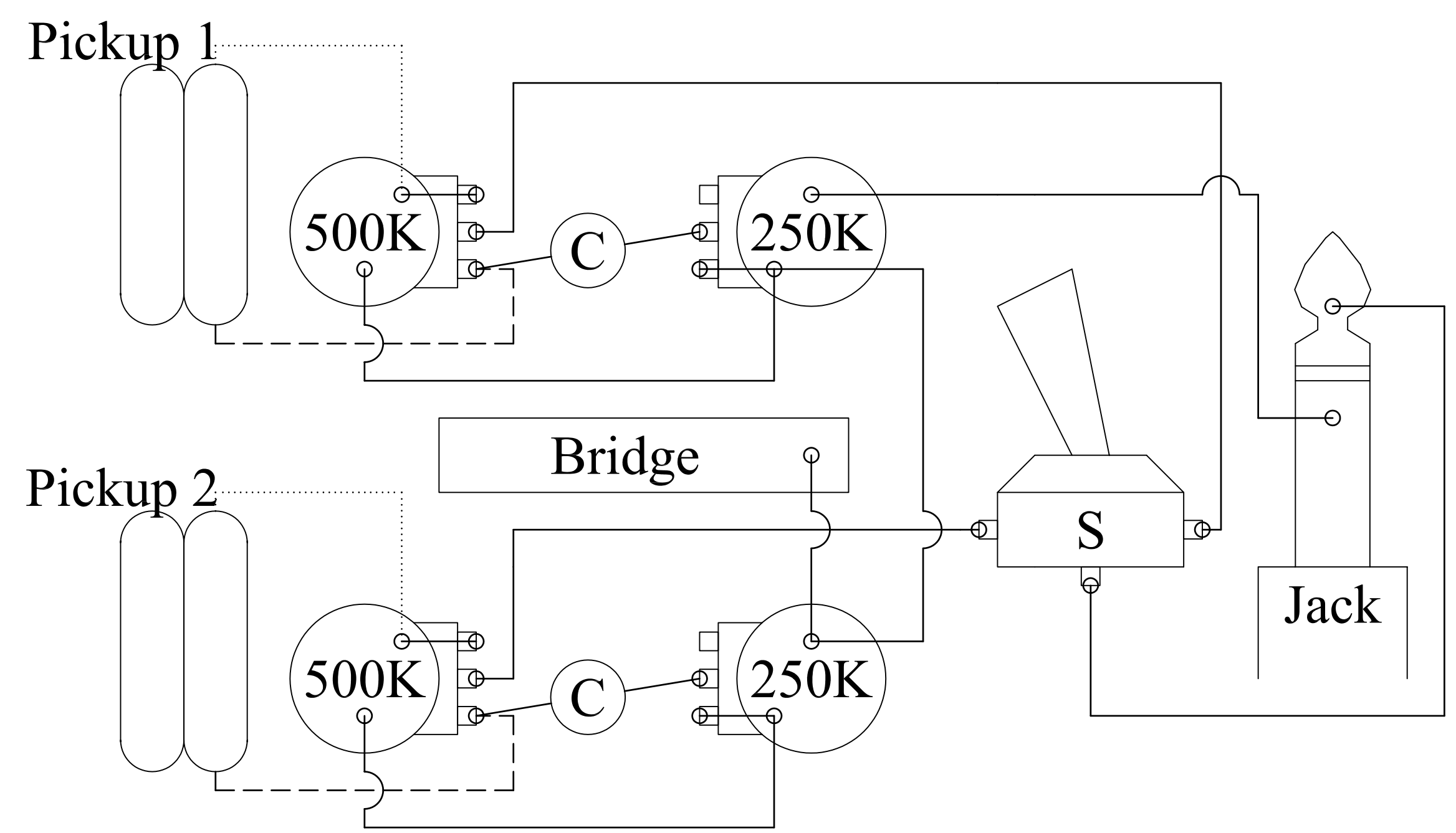
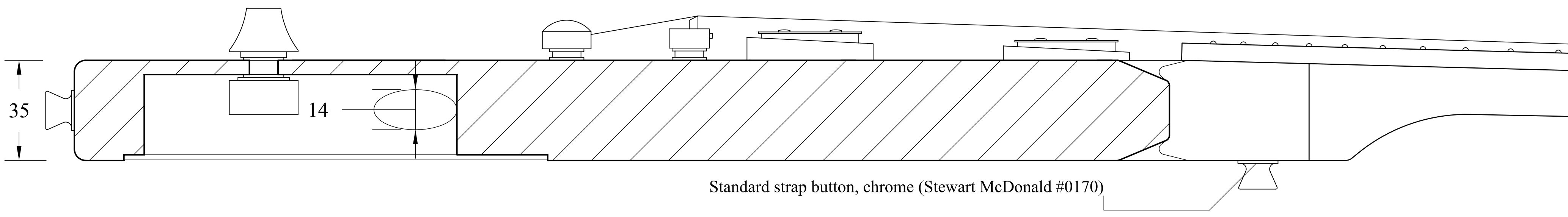
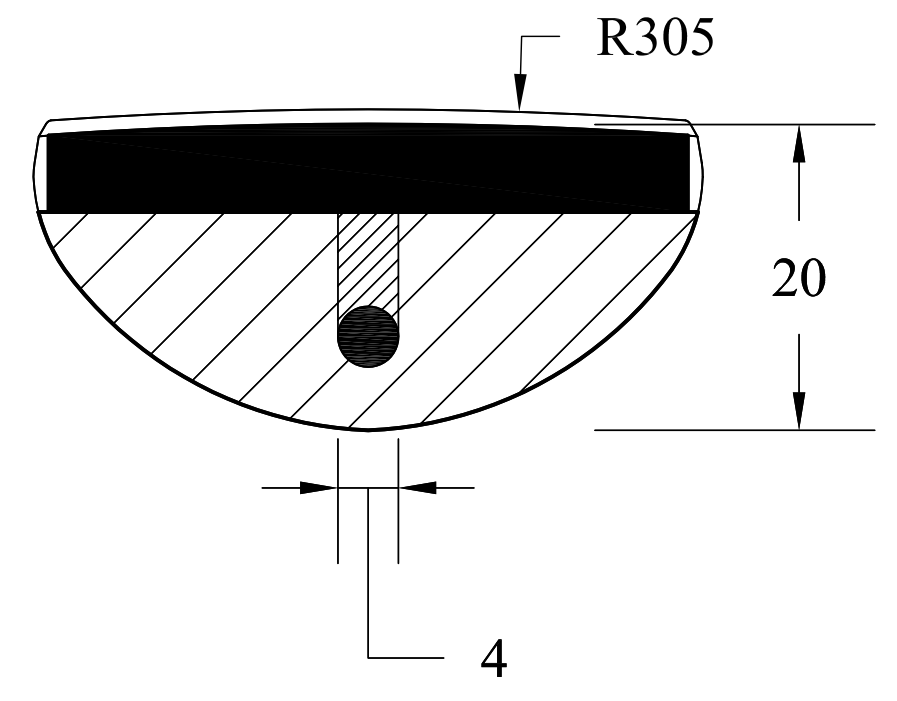


Description Scale
Back plan view 0 20 40 60

Description	
Electronics	
Legend:	
.....	Black wire
-----	Braided metal wire
⊖	0.05mfd capacitor
2.50K	250K LOG potentiometer
500K	500K LOG potentiometer
Pickup 1	Gibson #908 "yair" humbucker
Pickup 2	Gibson #907 "holic" humbucker
Bridge	Bridge (connected to ground)
⊖	3-way toggle switch
Jack	Mono jack

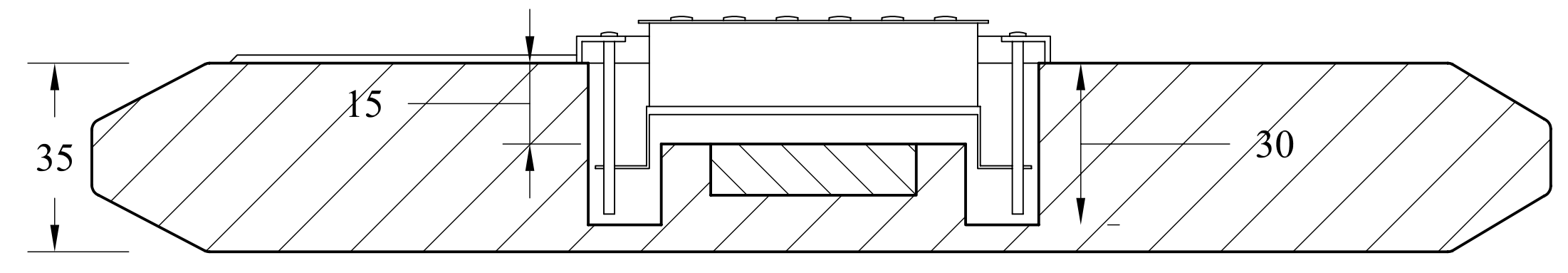


Description Scale
Section DD' 0 5 10 15

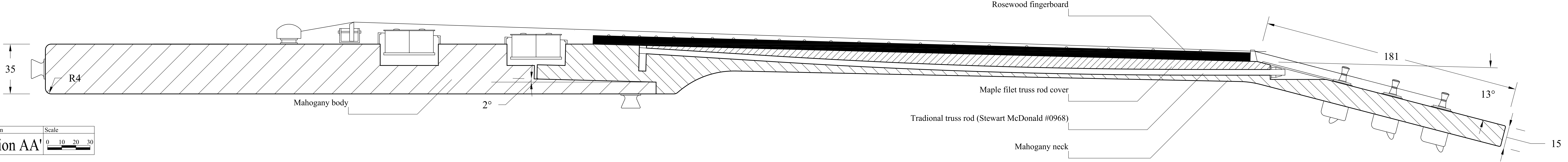
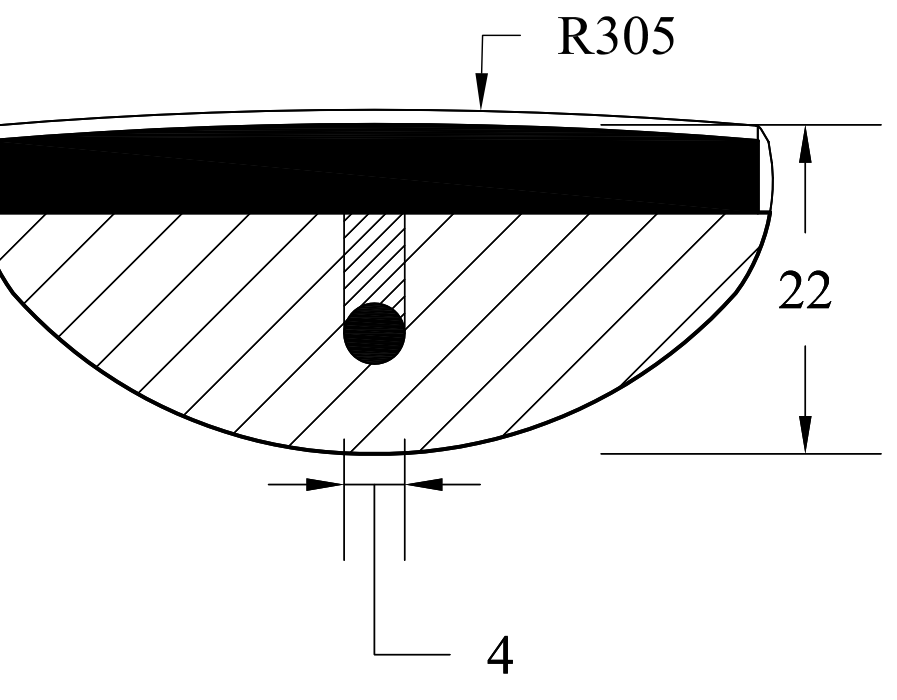


Description Scale
Section BB' 0 10 20 30

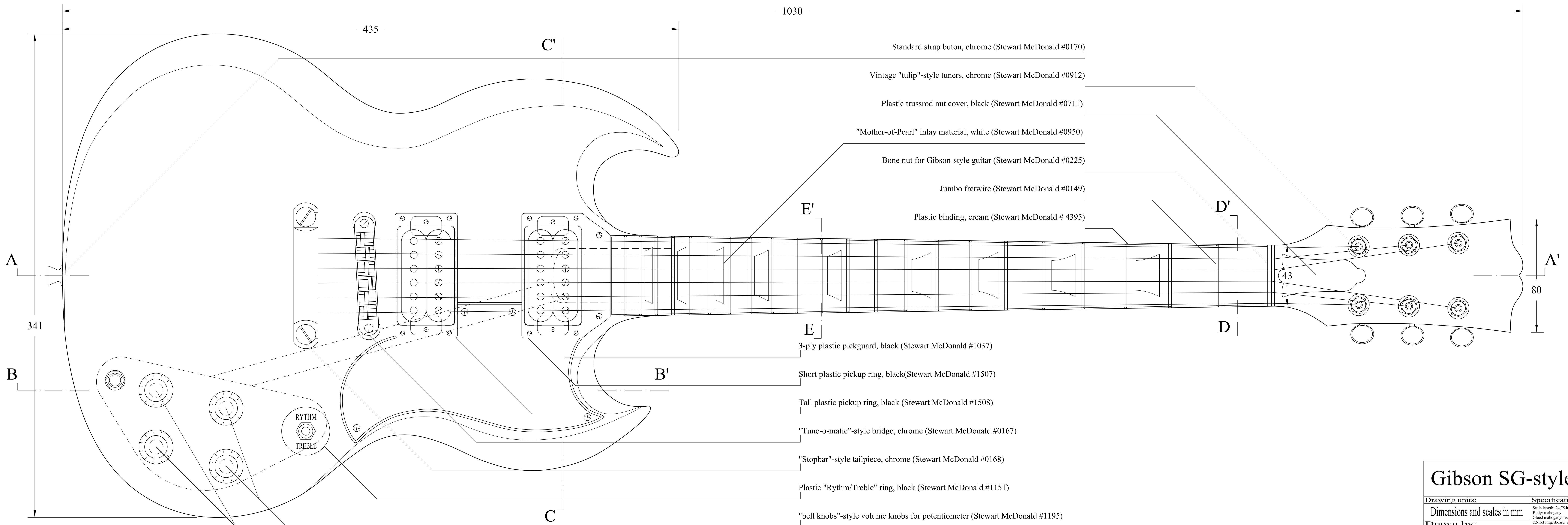
Description Scale
Section CC' 0 10 20 30



Description Scale
Section EE' 0 5 10 15



Description Scale
Section AA' 0 10 20 30



Description Scale
Front plan view 0 10 20 30

- Standard strap buton, chrome (Stewart McDonald #0170)
- Vintage "tulip"-style tuners, chrome (Stewart McDonald #0912)
- Plastic trussrod nut cover, black (Stewart McDonald #0711)
- "Mother-of-Pearl" inlay material, white (Stewart McDonald #0950)
- Bone nut for Gibson-style guitar (Stewart McDonald #0225)
- Jumbo fretwire (Stewart McDonald #0149)
- Plastic binding, cream (Stewart McDonald # 4395)
- 3-ply plastic pickguard, black (Stewart McDonald #1037)
- Short plastic pickup ring, black(Stewart McDonald #1507)
- Tall plastic pickup ring, black (Stewart McDonald #1508)
- "Tune-o-matic"-style bridge, chrome (Stewart McDonald #0167)
- "Stopbar"-style tailpiece, chrome (Stewart McDonald #0168)
- Plastic "Rythm/Treble" ring, black (Stewart McDonald #1151)
- "bell knobs"-style volume knobs for potentiometer (Stewart McDonald #1195)
- "bell knobs"-style tone knobs for potentiometer (Stewart McDonald #1197)

Gibson SG-style guitar

Drawing units:	Specifications:
Dimensions and scales in mm	Scale length: 24.75 inches (629 mm)
Drawn by:	Body: mahogany
Benjamin Stouffs	Neck: mahogany
Date:	22-fret fingerboard: rosewood
05/01/2005	Star: bone
	Electronics: 3-way toggle switch, individual volume and tone controls per pickup
	Finish: Nitrocellulose
	Pickups: Gibson #908 (neck) & Gibson #907 (bridge) or equivalent
	Bridge: Tune-o-matic with Stopbar tailpiece
	Tuners: Gibson "tulip"-style