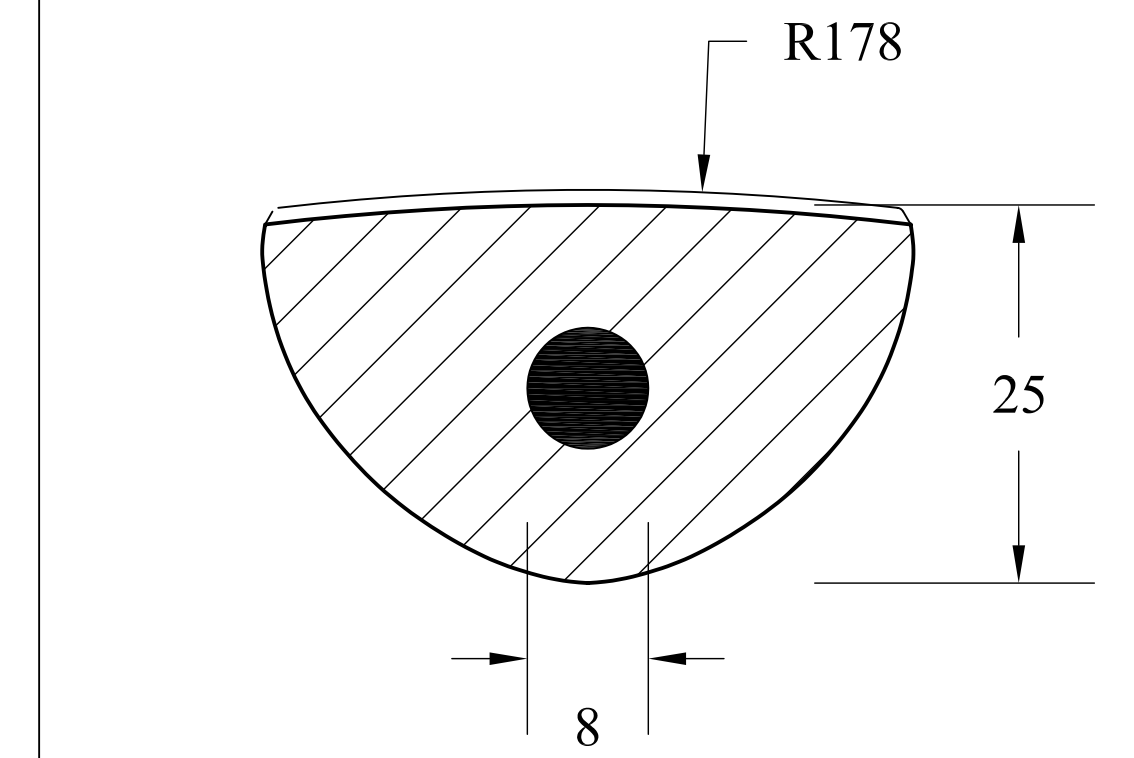
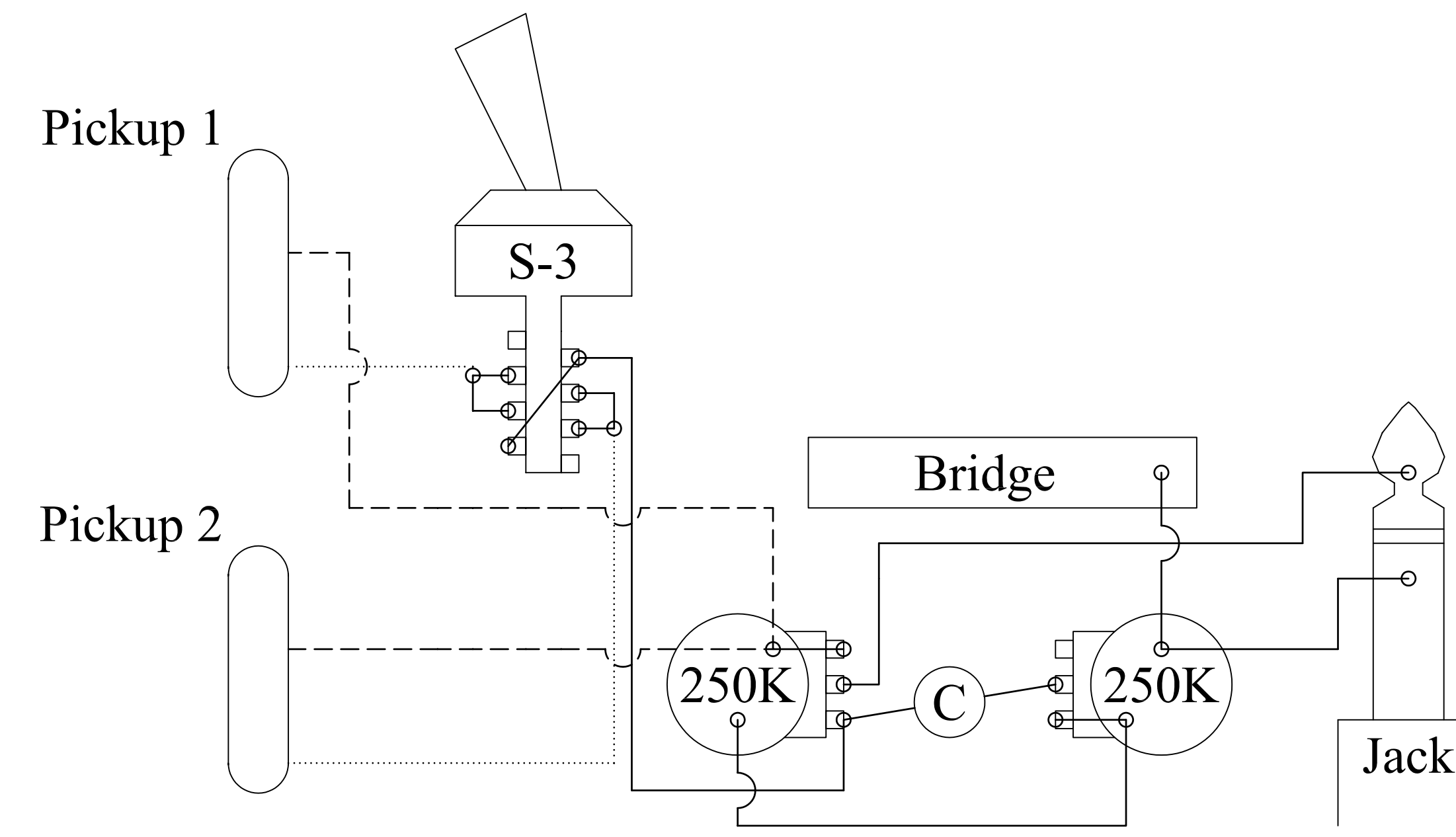
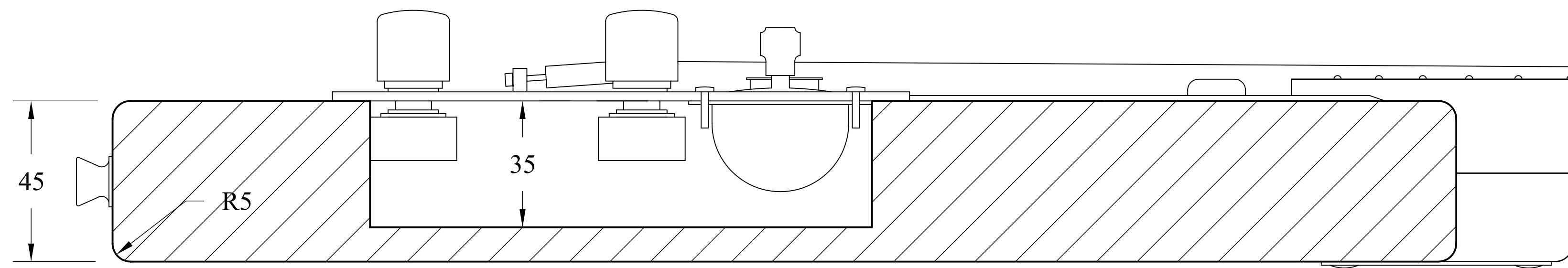


Description Scale
Back plan view 0 20 40 60

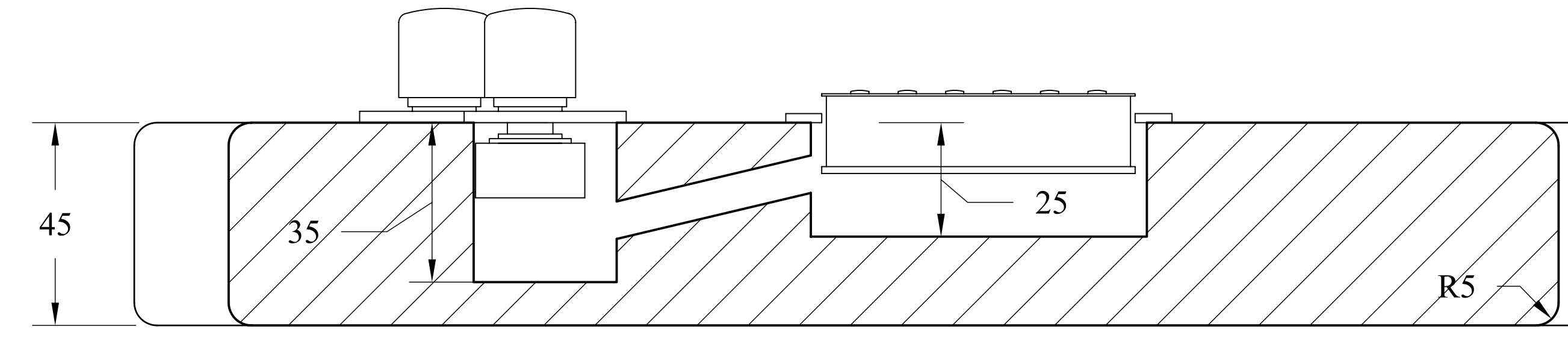
| Description | |
|--------------------|------------------------------|
| Electronics | |
| Legend: | Black wire |
| | White wire |
| | 0.05mfd capacitor |
| | 250K 250K LOG Potentiometer |
| Pickup 1 | "Bridge" single-coil pickup |
| Pickup 2 | "Neck" single-coil pickup |
| Bridge | Bridge (connected to ground) |
| S-3 | 3-way selector switch |
| Jack | Mono jack |



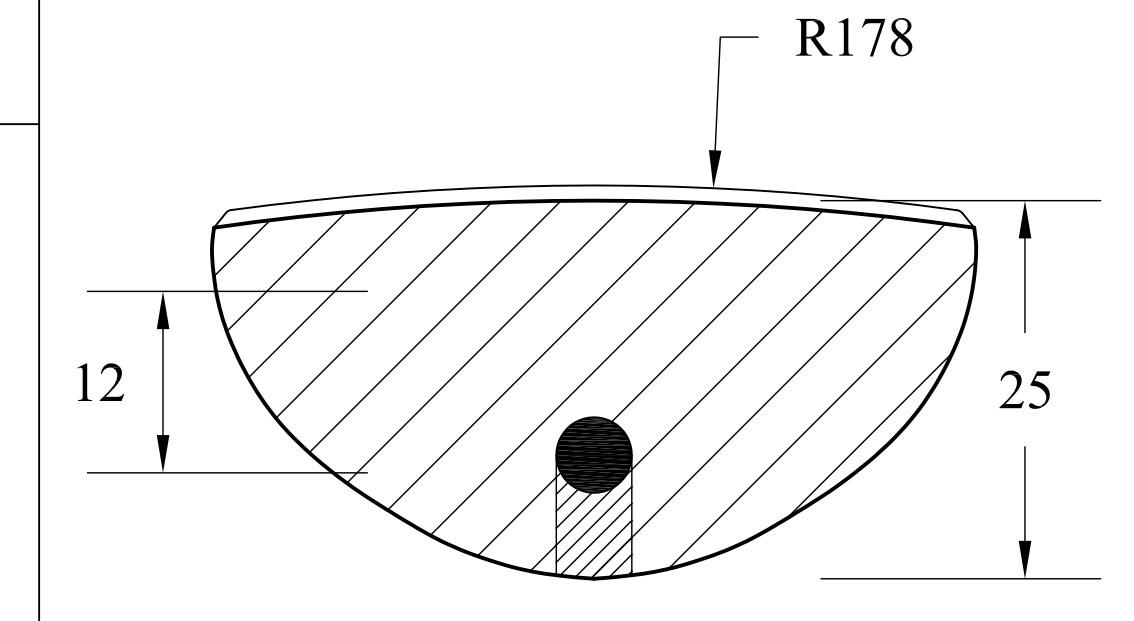
Description Scale
Section DD' 0 5 10 15



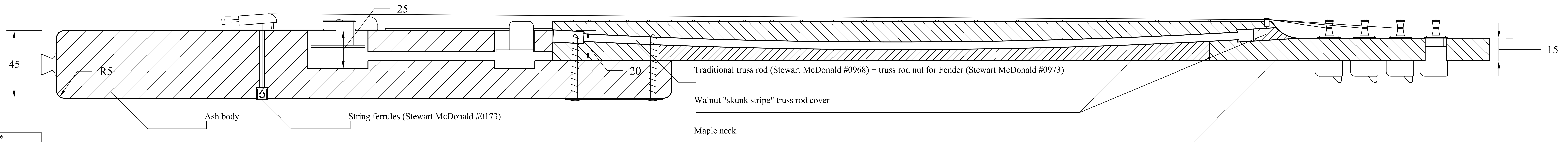
Description Scale
Section BB' 0 10 20 30



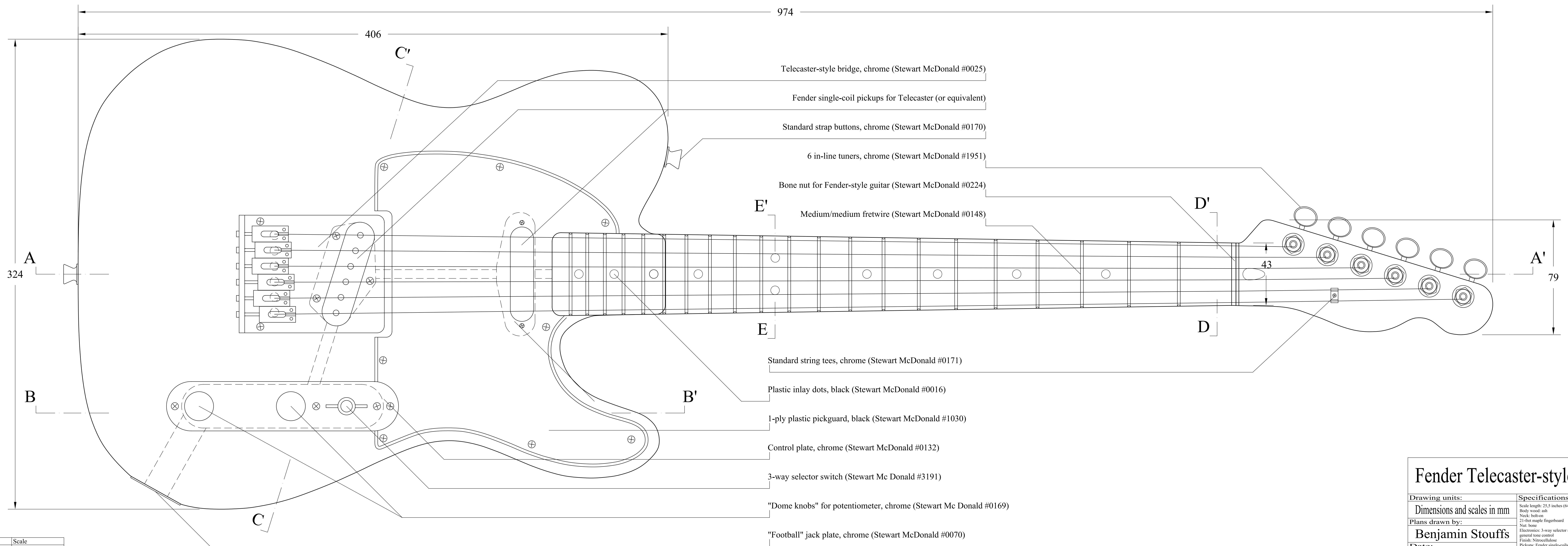
Description Scale
Section CC' 0 10 20 30



Description Scale
Section EE' 0 5 10 15



Description Scale
Section AA' 0 10 20 30



Description Scale
Front plan view 0 10 20 30

Fender Telecaster-style guitar

| | |
|-----------------------------|--|
| Drawing units: | Specifications: |
| Dimensions and scales in mm | Scale length: 25.5 inches (648 mm) |
| Plans drawn by: | Body wood: ash |
| Benjamin Stouff | Neck: mahogany |
| Date: | 21-fret maple fingerboard |
| 05/01/2005 | Star: none |
| | Electronics: 3-way selector switch, general volume control, general tone control |
| | Finish: Nitrocellulose |
| | Pickups: Fender single-coils |
| | Bridge: Hardtail strings-through-body type with integrated bridge pickup hole |
| | Tuners: Fender tuning pegs |